



Hermetic and Small Bayonet Connectors Per MIL-DTL-26482 Series I

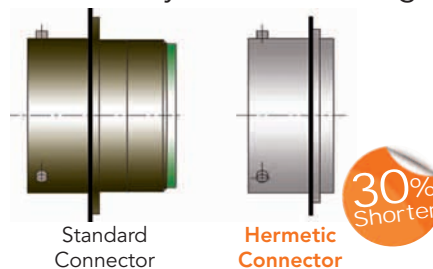
Hermeticity and compacity applied to a world wide proven connector series.

High pressure performance ■ Glass to metal sealing.
Helium leakage of less than 10^{-7} atm.cm³/s.



Pressure resistant.

Compact design ■ No rear accessory thread and no grommet.



Standard Connector

Hermetic Connector

Easy use ■ Quick bayonet coupling.



Description

- Glass sealed hermetic
- Compact low profile - 30% shorter than the standard version
- Quick bayonet coupling per:
 - MIL-DTL-26482 Series I
 - HE301
 - VG95328
- Solder cup contacts

Technical features

Materials

- **Shell:**
Steel
- **Plating:**
Iridescent yellow cadmium
Nickel
- **Contact:**
Gold plated ferrous alloy
- **Seal:**
Fluorocarbon elastomer

Electrical

- **Max current rating per contact:**

Contact size	20	16	12
Rating (A)	5	10	17

- **Dielectric withstanding voltage:**

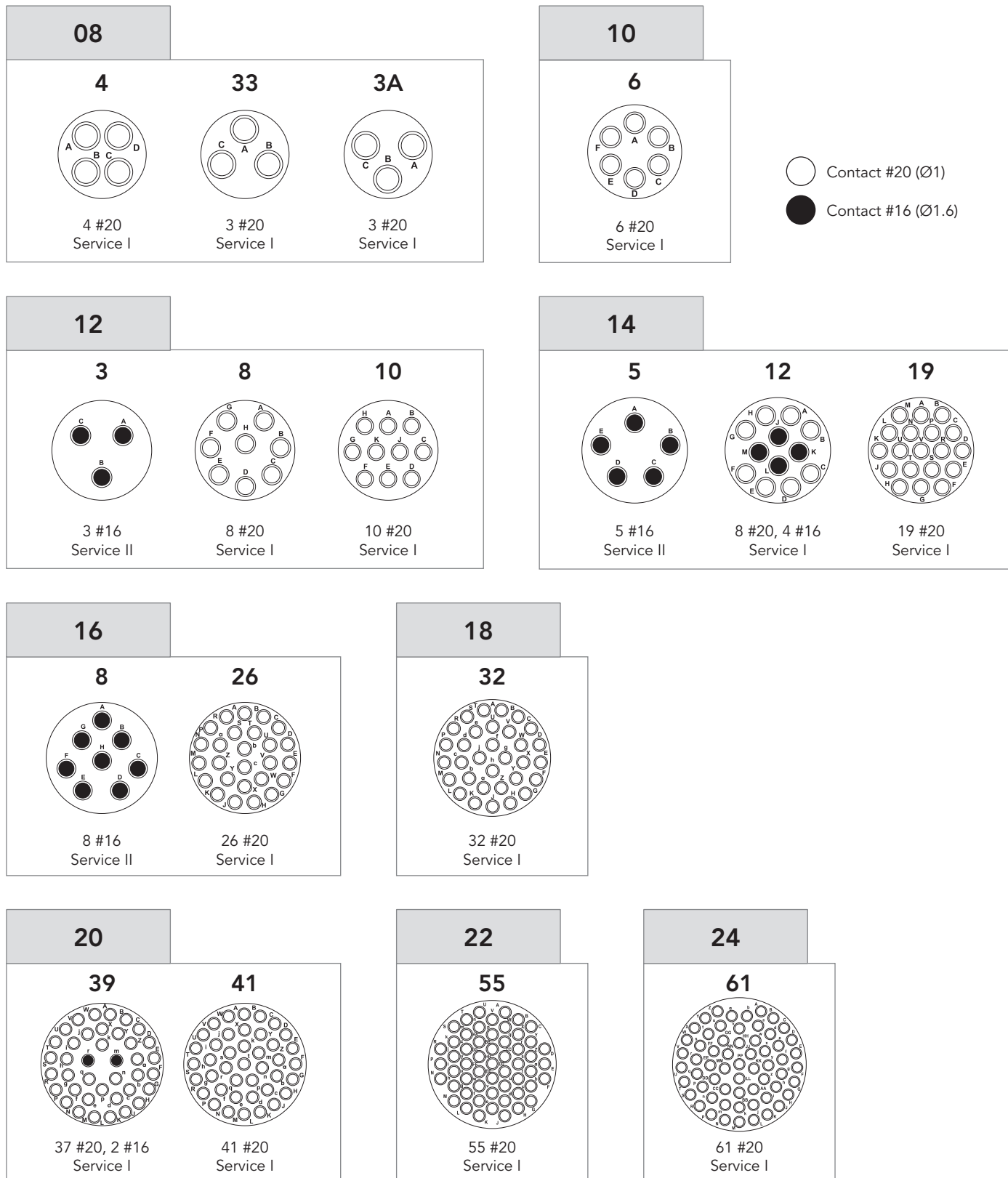
Service	Standard pressure	10 mbar pressure
I	1 500 Vrms	200 Vrms
II	2 300 Vrms	300 Vrms

- **Contact resistance:**
Size 20 \leq 30 m Ω
Size 16 \leq 14 m Ω
- **Shielding:**
70 dB to 5 MHz
40 dB to 100 MHz

Environmental

- **Operating temperature:**
-55°C to +125°C
- **Hermeticity:**
1 bar differential pressure,
leakage \leq 2.8 mm³/hr
- **Salt spray:**
48 hours min
- **Chemical resistance:**
To MIL-DTL-26482G Series I
- **Damp heat:** 21 days

Contact layouts



Ordering information

SOURIAU part numbers

Basic series	851	02H	18	32	P		50
Shell type:							
IH: Solder mount receptacle							
02H: Square flange receptacle							
07H: Jam nut receptacle							
Shell size:							
08, 10, 12, 14, 16, 18, 20, 22, 24							
Contact layout:							
See previous page							
Contact type:							
P: Pin							
Orientation:							
None: Normal (N)							
W, X, Y, Z - see page 7							
Mandatory suffix:							
50: Gold plating for contact size 20 and size 16							
Specification:							
None: Yellow cadmium plating - 02H and 07H only							
Nickel plated - IH only							
44: Nickel plated - 02H and 07H only							

VG95328 qualified products

Basic series	VG95328	F	18	32	P	N
Shell type:						
G: Solder mount receptacle						
F: Jam nut receptacle						
Shell size:						
08, 10, 12, 14, 16, 18, 20, 22, 24						
Contact layout:						
See previous page						
Contact type:						
P: Pin						
Orientation:						
N, W, X, Y, Z - see page 7						

Contact layouts (matrix)

Shell size	Layout	Hermetic 851	Hermetic MIL-DTL-26482G	Hermetic VG95328	Number of contacts	
					#20	#16
08	8-3A			Q	3	
	8-98				3	
	8-33				3	
	8-4				4	
10	10-6			Q	6	
12	12-3			Q		3
	12-8				8	
	12-10			Q	10	
14	14-5			Q		5
	14-12			Q	8	4
	14-15			Q	14	1
	14-19			Q	19	
16	16-8			Q		8
	16-26			Q	26	
18	18-32			Q	32	
20	20-39			Q	37	2
	20-41			Q	41	
22	22-55			Q	55	
24	24-61			Q	61	

Cross reference list

SOURIAU	NFC 93422 HE 301B	MIL-DTL-26482G Series I Not QPL
851 02H ●●○○ P □ 50	HE 301 B 02 H ●●○○ P □ 3A	-
851 07H ●●○○ P □ 50	HE 301 B 07 H ●●○○ P □ 3A	MS 3114 H ●●C ○○ P □
851 IH ●●○○ P □ 50	HE 301 B 1 H ●●○○ P □ 3A	MS 3113 H ●●C ○○ P □

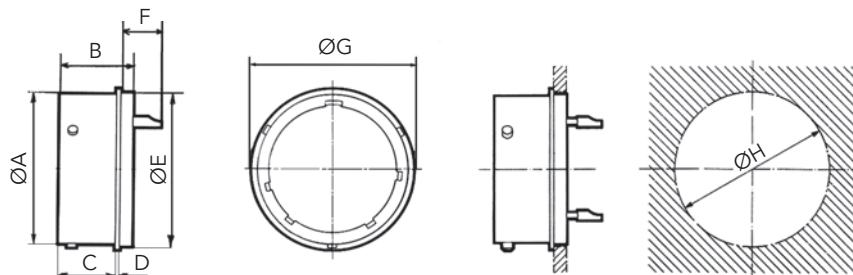
- Shell size
- Layout
- Orientation. Empty if orientation N - only for «Souriau», «NFC93422» and «MIL-DTL-26482G Series I»

Maximum connector weights (in grams)

Shell size	8	10	12	14	16	18	20	22	24
Solder mount receptacle (type IH)	7	9	13	17	21	26	32	37	43
Square flange receptacle (type 02H)	10	12	16	21	26	33	41	47	55
Jam nut receptacle (type 07H)	20	25	38	45	52	63	86	96	115

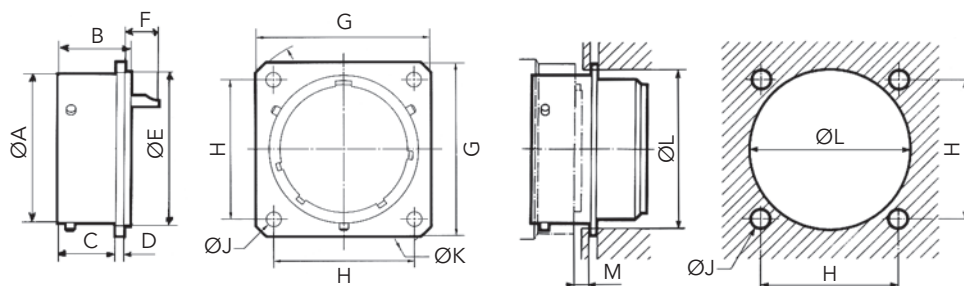
Dimensions

Solder mount receptacle (type IH)



Shell size	A	B	C max	D max	E max	F max	G max	H ± 0.1
8	12.03	13.84	10.69	0.76	14.27	8.19	16.40	14.70
10	15.01	13.84	10.69	0.76	17.06	8.19	19.40	17.50
12	19.07	13.84	10.69	0.76	19.83	8.19	21.80	20.20
14	22.25	13.84	10.69	0.76	23.00	8.19	25.00	23.40
16	25.42	13.84	10.69	0.76	26.18	8.19	28.10	26.60
18	28.60	13.84	10.69	0.76	29.36	8.19	31.30	29.80
20	31.77	15.42	12.32	0.76	31.74	8.16	33.70	32.10
22	34.95	16.23	12.32	0.76	34.92	8.16	36.90	35.30
24	38.12	17.04	40.10	7.36	38.10	7.36	40.10	38.40

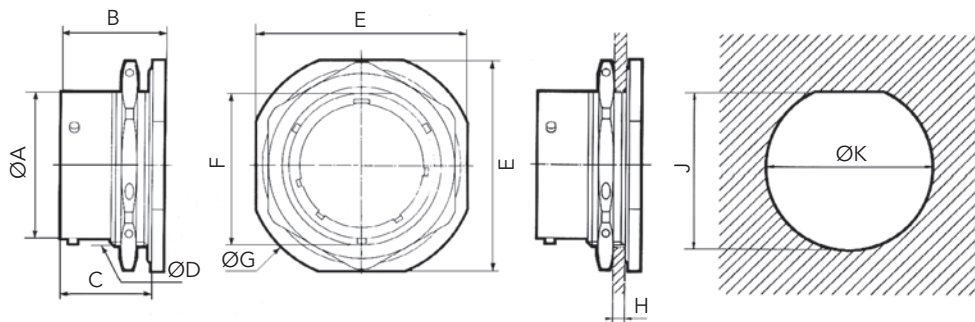
Square flange receptacle (type 02H)



Shell size	A	B	C max	D max	E	F max	G max	H	J	K max	L ± 0.1	M min
8	12.03	13.84	11.24	1.67	14.27	6.97	21.42	15.09	3.13	27.09	15.55	2.90
10	15.01	13.84	11.24	1.67	17.06	6.97	24.62	18.26	3.13	31.87	18.80	2.90
12	19.07	13.84	11.24	1.67	19.85	6.97	26.98	20.62	3.13	35.04	22.15	2.90
14	22.25	13.84	11.24	1.67	23.00	6.97	29.36	23.00	3.13	38.22	25.30	2.90
16	25.42	13.84	11.24	1.67	26.18	6.97	31.73	24.61	3.13	41.39	28.45	2.90
18	28.60	13.84	11.24	1.67	29.36	6.97	34.12	26.97	3.13	44.57	31.65	2.90
20	31.77	15.42	12.00	2.48	31.74	6.99	37.20	29.36	3.13	47.74	34.80	5.50
22	34.95	16.23	12.00	2.48	34.92	6.99	40.47	31.75	3.13	50.92	38.00	5.50
24	38.12	17.04	12.81	2.48	38.10	6.19	43.66	34.92	3.81	55.69	41.20	5.50

Note: All dimensions are in millimeters (mm)

Jam nut receptacle (type 07H)

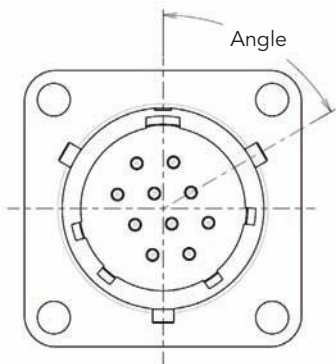


Shell size	A	B max	C max	D	E max	F	G max	H min	H max	J ±0.1	K ±0.1
8	12.03	20.53	17.93	14.26	24.07	13.33	27.37	1.57	3.17	13.75	14.60
10	15.01	20.53	17.93	17.43	27.22	16.51	30.57	1.57	3.17	16.95	17.75
12	19.07	20.53	17.93	22.19	32.00	20.63	35.32	1.57	3.17	21.50	22.50
14	22.25	20.53	17.93	25.36	35.17	23.78	38.50	1.57	3.17	24.20	25.70
16	25.42	20.53	17.93	28.54	38.35	26.93	41.67	1.57	3.17	27.35	28.85
18	28.60	20.53	17.93	31.71	41.52	30.10	44.85	1.57	3.17	30.55	32.05
20	31.77	26.10	22.70	34.89	46.27	33.28	49.62	1.57	6.35	33.70	35.20
22	34.95	26.10	22.70	38.06	49.47	36.45	52.77	1.57	6.35	36.90	38.40
24	38.12	26.93	23.54	41.24	52.62	39.63	55.97	1.57	6.35	40.05	41.55

Note: All dimensions are in millimeters (mm)

Orientation

Polarization code



Viewed from receptacle front face.
Insulator rotated inside metal body.

Shell size	Layout	Angle in degrees			
		W	X	Y	Z
8	4	45	-	-	-
	33	90	-	-	-
	3A	60	210	-	-
10	6	90	-	-	-
12	3	-	-	180	-
	8	90	112	203	292
	10	60	155	270	295

Shell size	Layout	Angle in degrees			
		W	X	Y	Z
14	5	40	92	184	273
	12	43	90	-	-
	19	30	165	315	-
16	8	54	152	180	331
	26	60	-	275	338
18	32	85	138	222	265
20	41	45	126	225	-
22	55	30	142	226	314
24	61	90	180	270	324

For further information contact us at contactmilaero@souriau.com
or visit our web site www.souriau.com